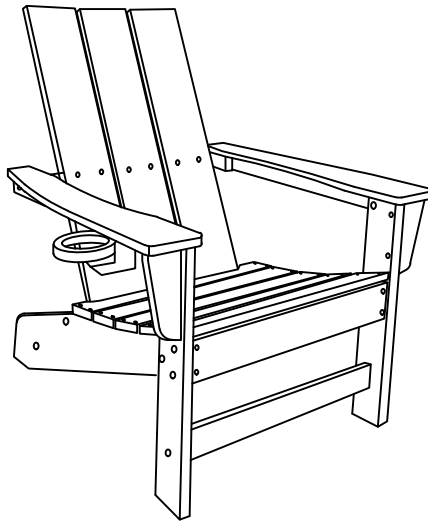


# Assembly Instruction

## Adirondack Love chair



### Customer Service Before Return:









If part missing or damaged, or you need help with assembly, please do not hesitate to contact us.

# Before Assembly







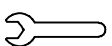

## IMPORTANT NOTE:

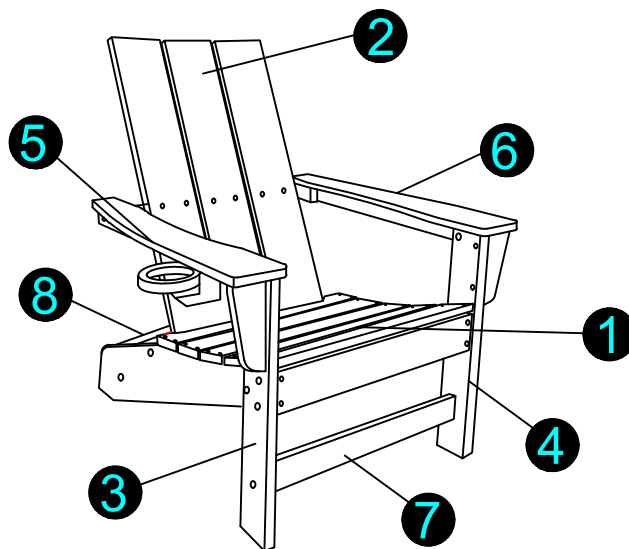
- >Make sure all parts and hardware are included and free of obvious defect before disposing of any packaging.
- >Do not tighten all screws and bolts until completely assembled.
- >Assembly will require two people

## PART LIST

<b>1</b> 	<b>2</b> 	<b>3</b> 	<b>4</b> 	<b>5</b> 	<b>6</b> 	<b>7</b> 	<b>8</b> 	
1pcs	1pcs	1pcs	1pcs	1pcs	1pcs	1pcs	1pcs	

## HARDWARE LIST

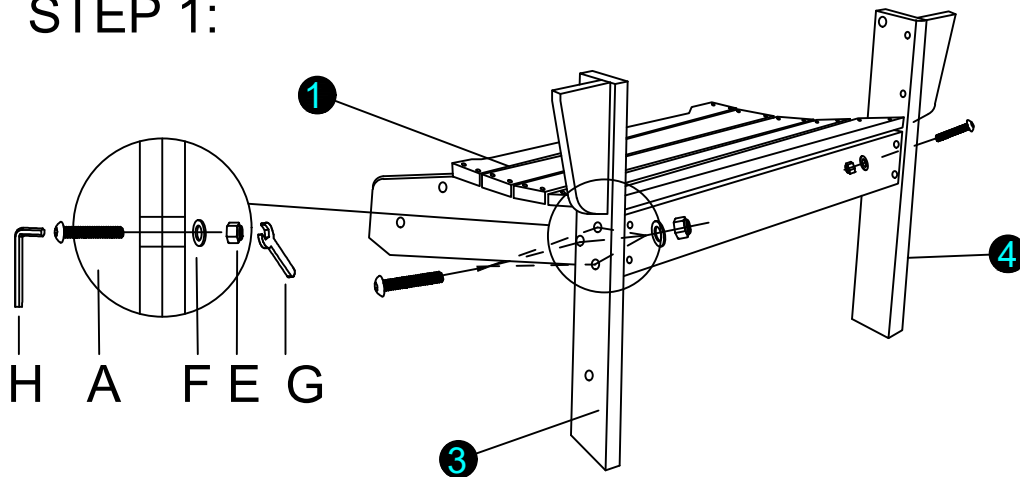
<b>A</b> 	<b>B</b> 	<b>C</b> 	<b>D</b> 	<b>E</b> 	<b>F</b> 	<b>G</b> 	<b>H</b> 	
M6X60	M6.3X80	M6.3X50	M6.3X40	M6				
8pcs	2pcs	2pcs	4pcs	8pcs	8pcs	1pc	1pc	






# NOTED

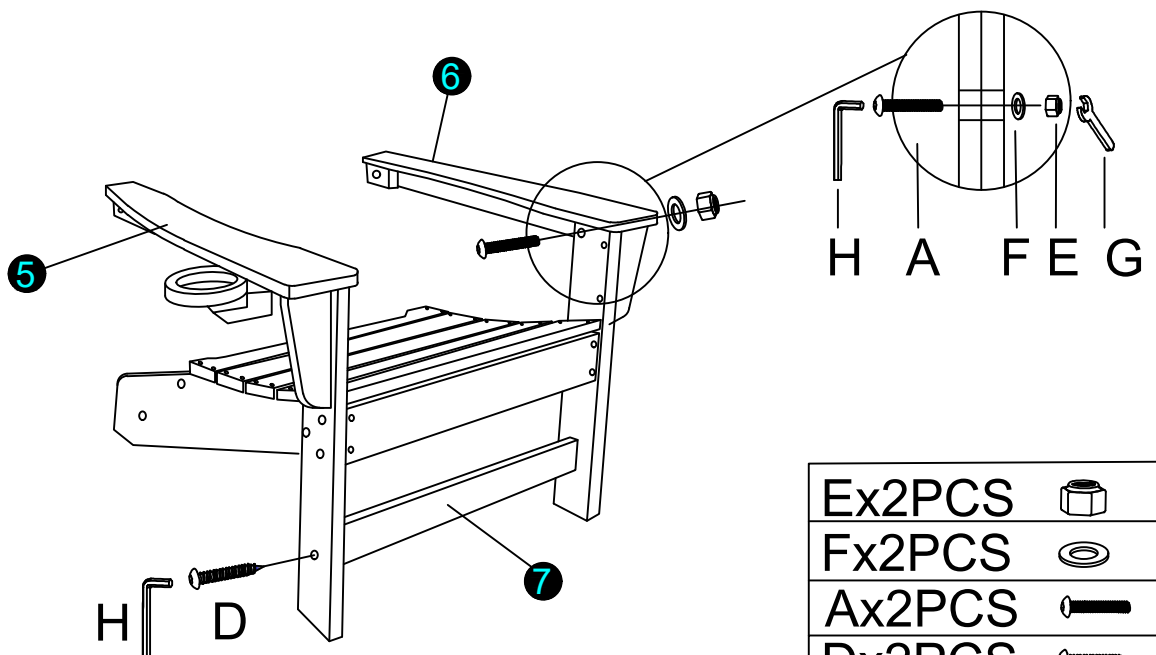
Do not fully tighten all parts are in place. Failure to follow these instructions may cause the bolt misalign during assembly





## STEP 1:



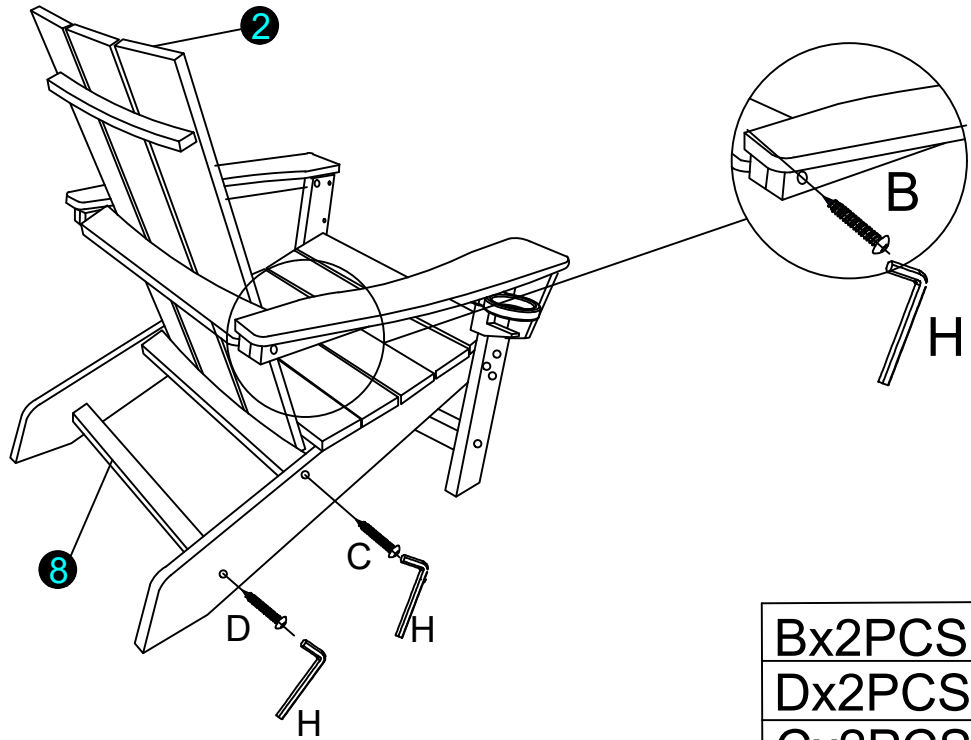
Ex6PCS	
Fx6PCS	
Ax6PCS	




## STEP 2:



Ex2PCS	
Fx2PCS	
Ax2PCS	
Dx2PCS	

STEP 3:



Bx2PCS	
Dx2PCS	
Cx2PCS	

STEP 4:

